

The Horizon 80mm and 100mm Installation Guide



Contents

<i>Before You Begin</i>	3
<i>Cutting tracks – Singles, Doubles and Corners</i>	4
<i>Upper and Lower Track Components</i>	5
<i>Track and Box Channel Profiles</i>	6
<i>Track Joiners - Double and</i>	7
<i>Corner Doors</i>	7
<i>Installation</i>	9
<i>Installing track – Double and Corner Doors</i>	13
<i>Track Runners / M3 Pins</i>	14
<i>Installing track – Double and Corner Doors</i>	19
<i>Installing track – Double and Corner Doors</i>	21
<i>Reference - HORIZON</i>	27
<i>Optional Install</i>	28
<i>Adjusting the Spring Tension</i>	29

- Read through the instructions before you begin, and contact technical support with any questions before you begin
- Installation requires 2 people
- Each screen system is custom made to each specific application
- Screens should be stored inside original packaging until the screens are ready to be installed
- Before installation inspect all products and components
- Damaged or missing components should be reported immediately to orders@wizardscreens.com
- It is recommended that you install screens after door installation is complete and finished
- Do not pull out screen system until tracks are in position
- Support the pull-bar when handling the housing - The mesh and pull-bar are connected using spline only, allowing the mesh to glide up and down. Be careful the pull-bar doesn't slide directly off the mesh to avoid damaging the endcaps
- If installing screen system directly onto door frame and threshold, be sure not to fasten into any areas that may impact the performance of the door and hardware. Consult door manufacturer if needed.
- Depending on the application and installation plan you may need to source different length fasteners to install tracks
- Upper tracks are fastened HORIZONTIALLY
- Overtightening the spring may cause damage – before adjusting spring ensure tracks are level, and housing is plumb, level and square
- When installing, if you have questions, call us before leaving the site if possible 888-949-3667

Cutting tracks – Singles, Doubles and Corners

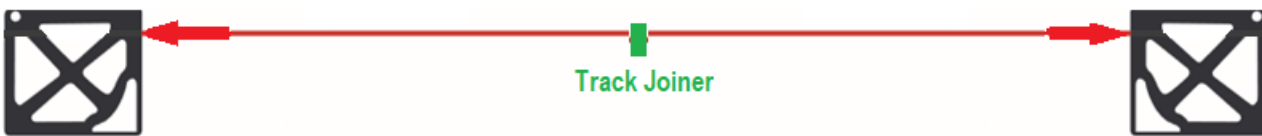
Measuring cut length for Single Doors

Single doors



Measuring cut length for Double, Offset or Corner Screens

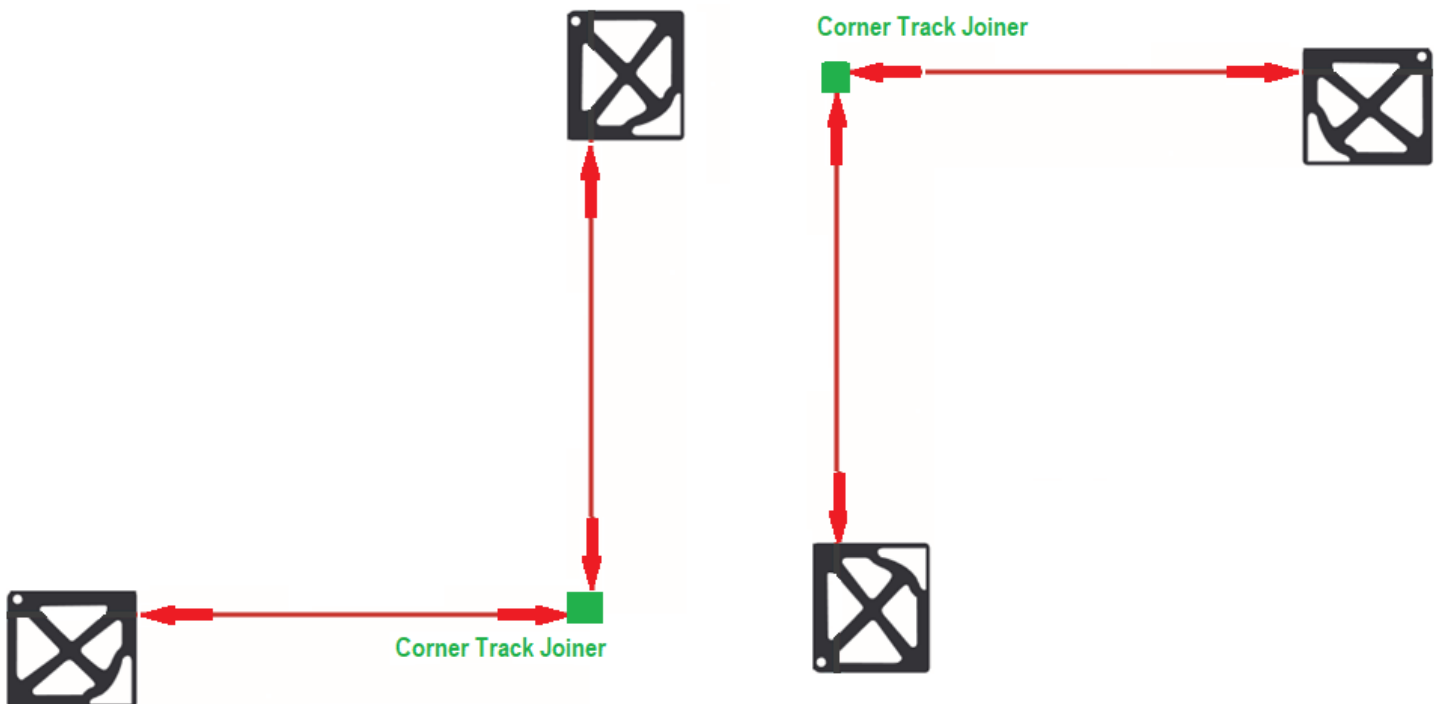
Position your track joiner onto the track end or in position and measure between the alignment jig and the track joiner



Measuring cut length for Corners

External Corner Configuration

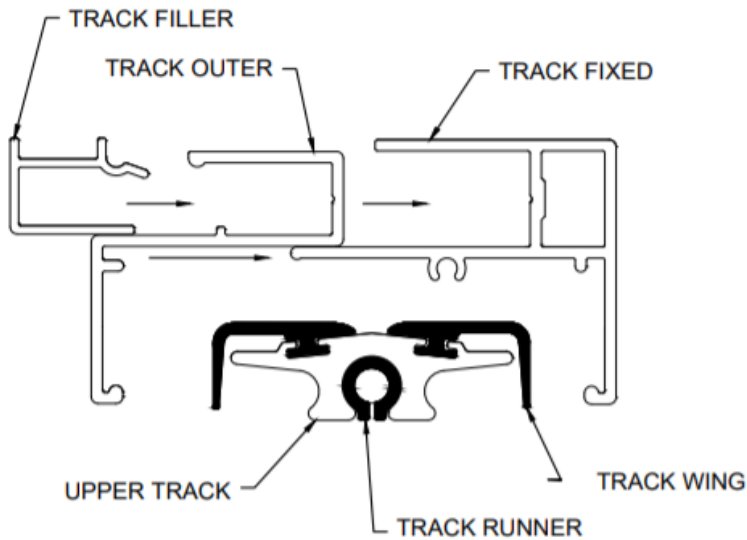
Internal Corner Configuration



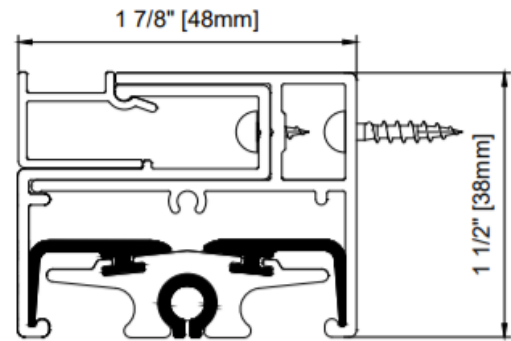
Upper and Lower Track Components

Upper Track

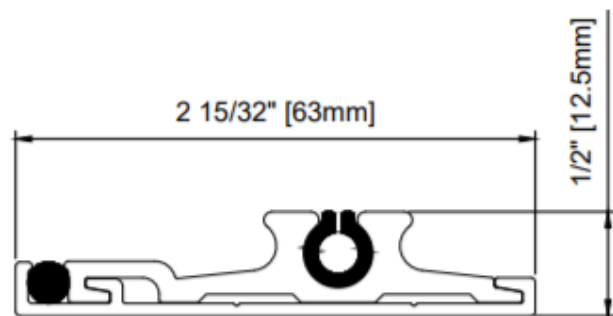
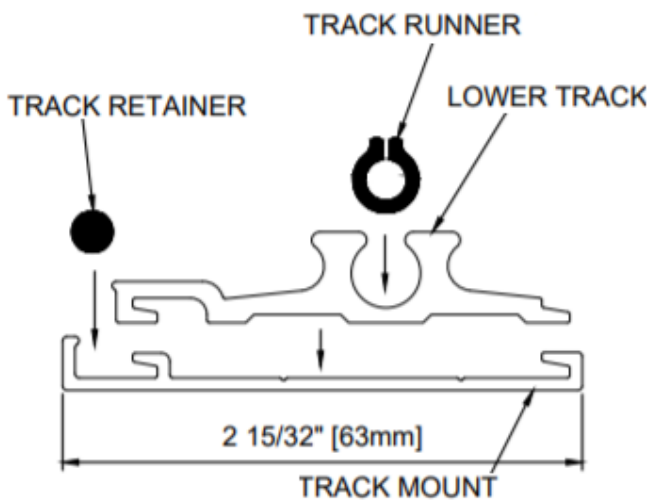
Upper track Parts



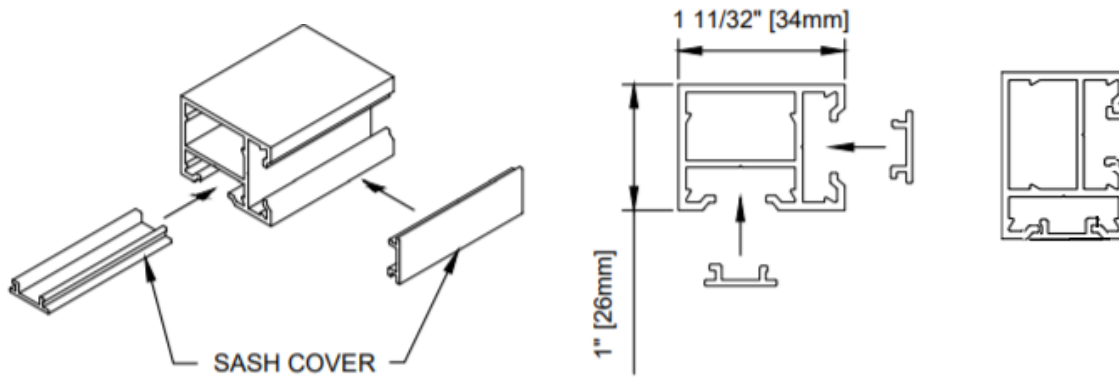
Upper Track – Surface Mount



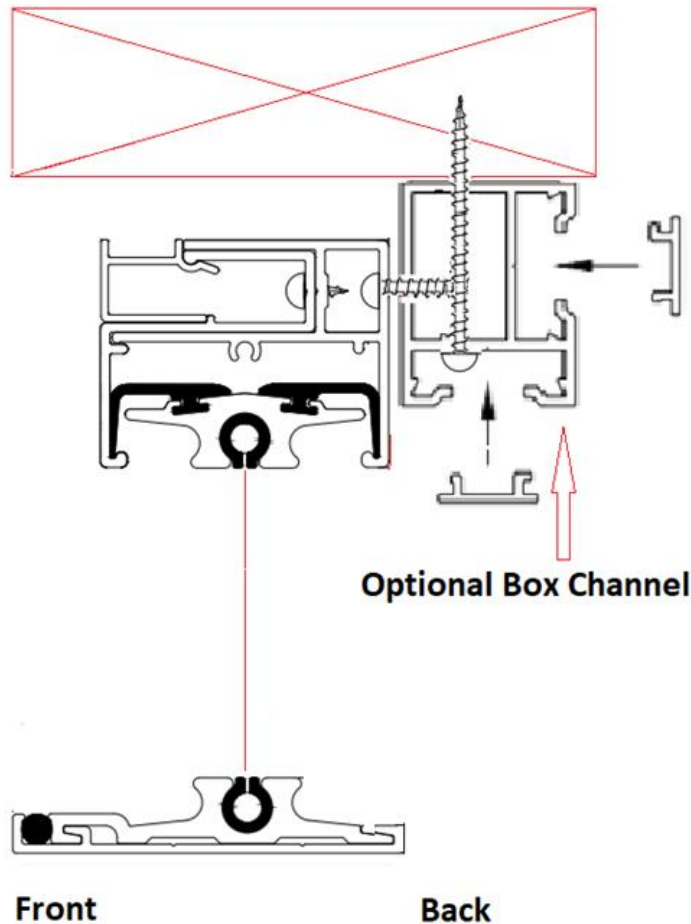
Lower Track



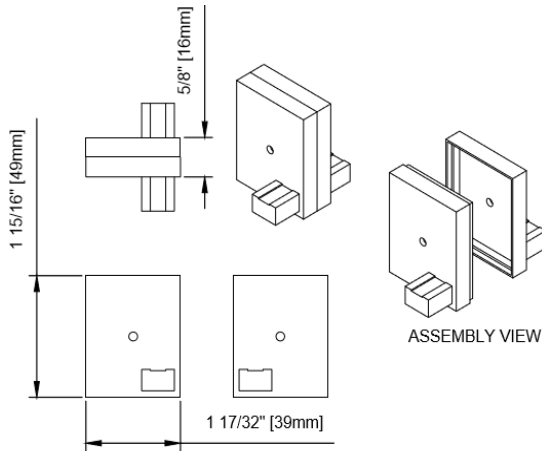
Box Channel



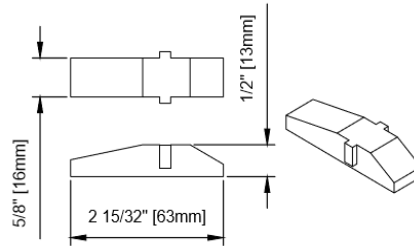
Upper Track under Header with optional Box Channel (not to scale)



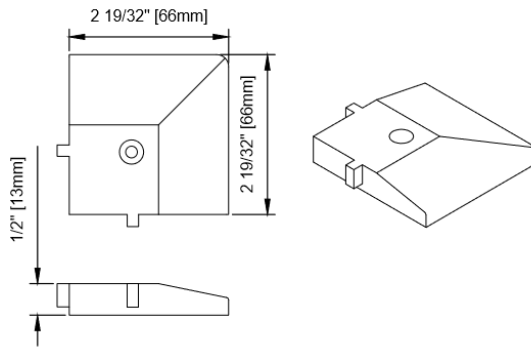
Track Joiners - Double and Corner Doors



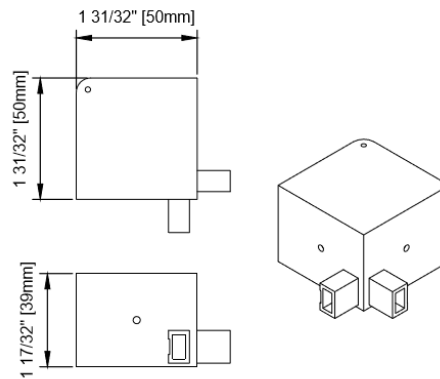
UPPER TRACK DOUBLE DOOR



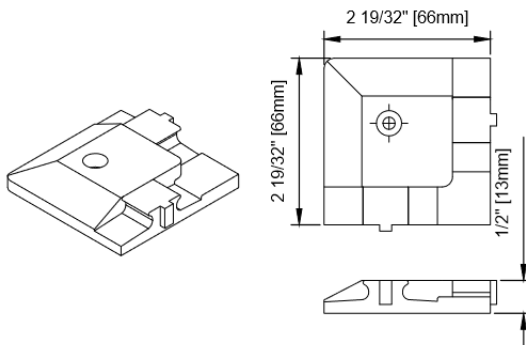
LOWER TRACK DOUBLE DOOR



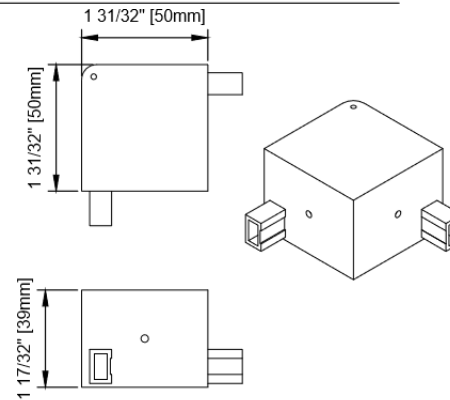
LOWER OUTSIDE CORNER DOOR



UPPER OUTSIDE CORNER DOOR



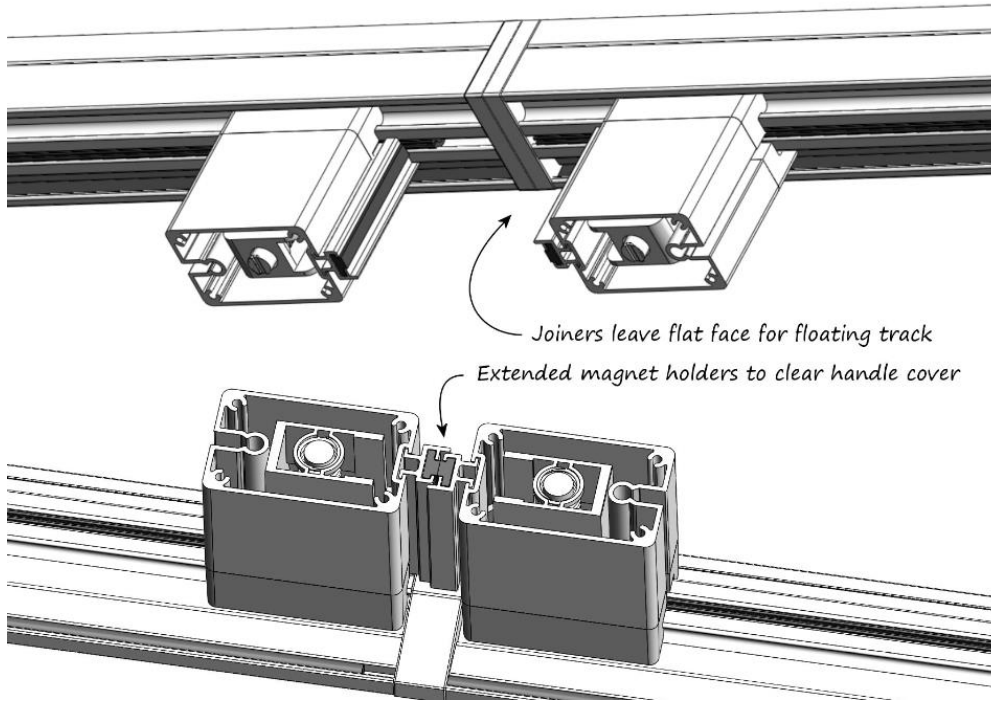
LOWER INSIDE CORNER DOOR



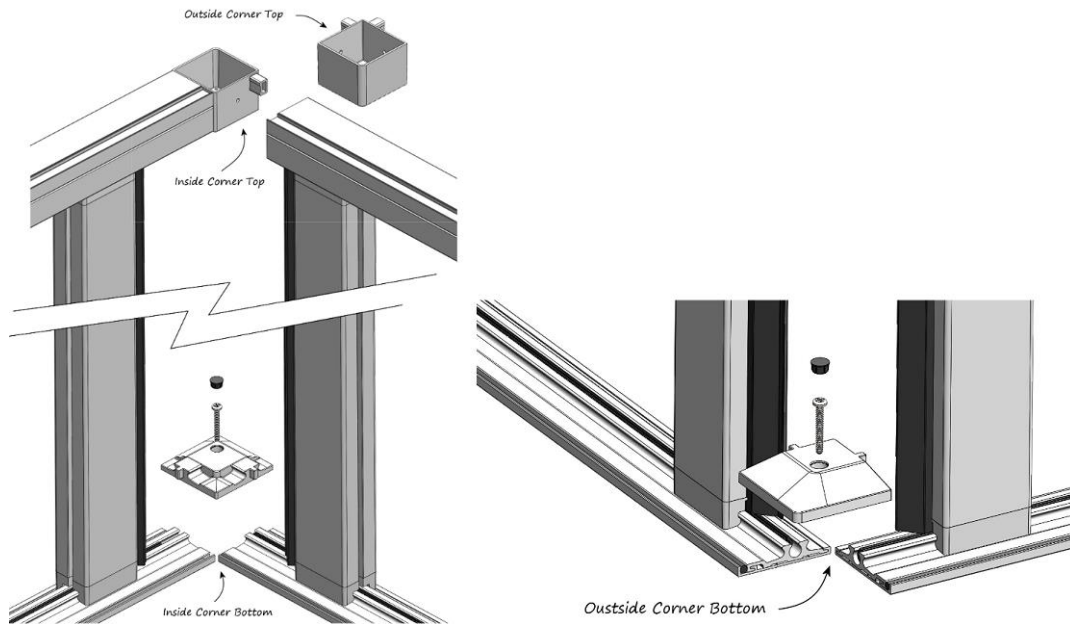
UPPER INSIDE CORNER DOOR

Track Joiners - Double and Corner Doors

Double track connectors

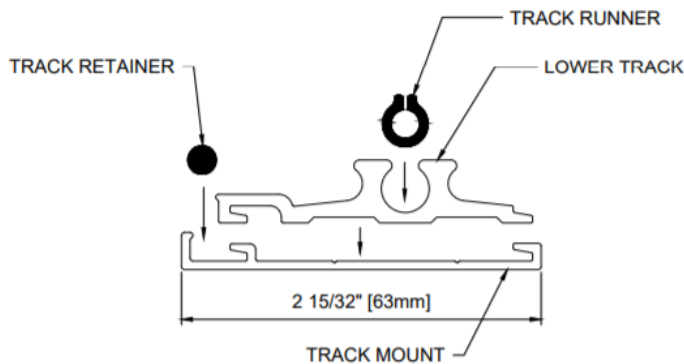


Corner track connectors

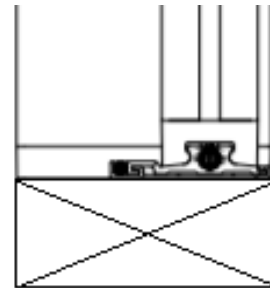


Lower track and housing locator pins are fastened vertically down – ensure you have a level, flat mounting surface for the lower track and housing

Lower Track Components



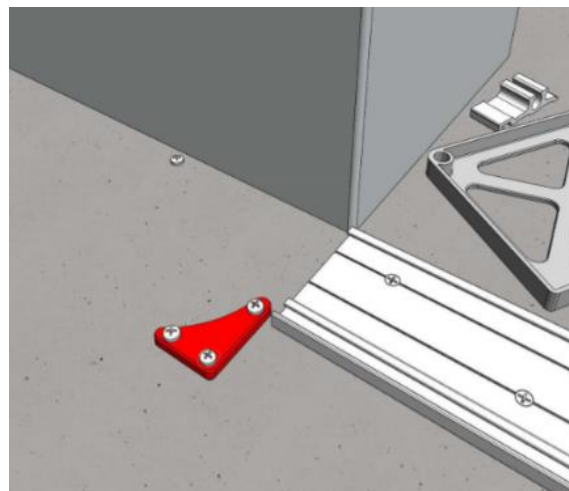
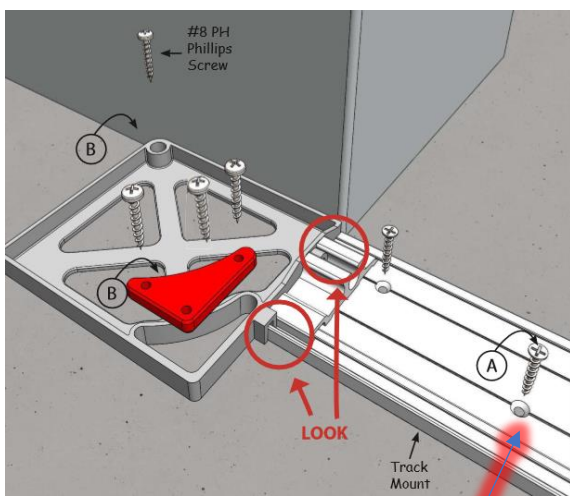
Level / flat mounting surface



Install Housing Alignment jig, locator pins and lower track mount. Once everything secure remove the Alignment Jig and **Ensure Track Mount is Level Across Doors!**

- a. Single doors have one Alignment jig
- b. *Double doors / Corners have two Alignment jigs*

Setting alignment pins and track mount



Countersink the screws flush

Place Alignment Jig in position and fasten locaters "B" in place. Front locator is fastened with 3 screws, rear locator is a single screw – if the single rear locator cannot be fastened plumb to allow the housing to sit flat, it may be removed as **the housing must sit flat when installed.**

Align the lower track Mount to the alignment jig with a small piece of track and install the lower Track Mount using countersunk #6 stainless steel flat screws, ensuring the screws finish flush or below at "A" (see above) **MAKE SURE** the jig guide and lower track mount maintain alignment!

Tip! - use the lower track Mount as a drill guide to mark the hole locations for pre-drilling if required (example: for positioning screw plugs into tile floor)

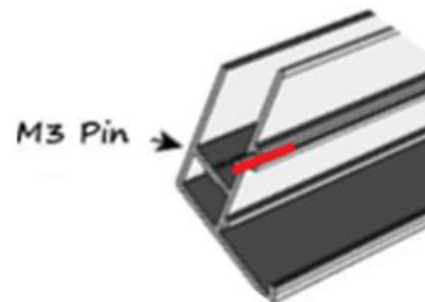
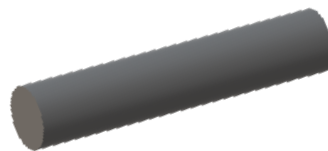
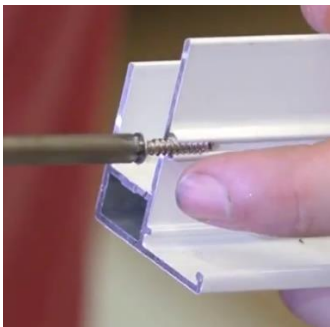
Lower track: Measure and cut all lower track components at one time: ensure all track parts are flush at cutting end before cutting

Measure and cut all upper track components at one time, and at the same dimensions as you cut the lower track - ensure all track parts are flush before cutting – after cutting, slide the black Lower Track Runner out and on single doors, remove 1/8" at the housing end, for **Doubles and Corners deduct ¼" off each of the Lower track runners**

After cutting tracks, the upper tracks are fitted with the M3 pins to install the M3 pin, screw in, and remove, a screw first in the housing end of the upper track on all systems after cutting the tracks

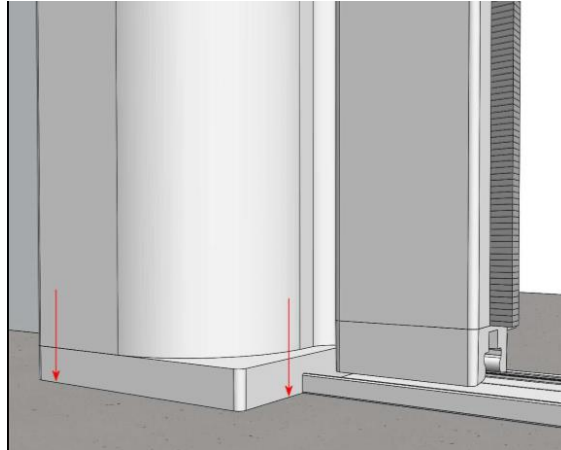
- Singles doors have 1 M3 pin to connect the Upper Track to the housing*
- Doubles doors have 2 M3 pins to connect the Upper tracks to each housing*
- Corners doors have 4 M3 pins to connect the Upper tracks to each housing, and also to the Upper Corner Track joiner*

M3 Pin



Push firmly down to ensure the housing sits flat and is plumb, front to back, and left to right

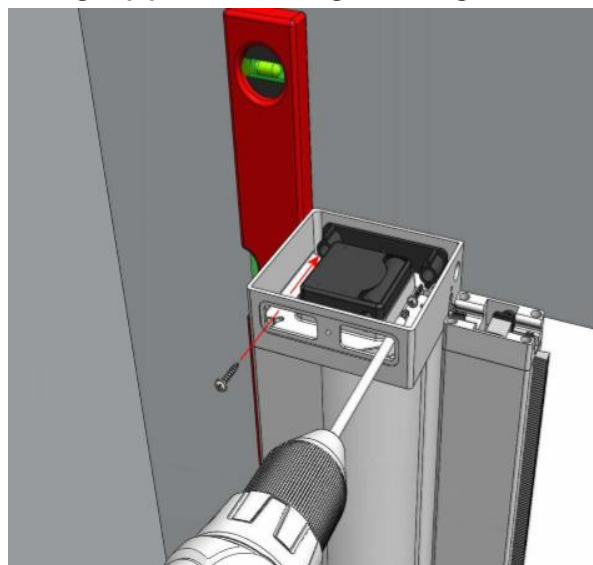
Housing: FLAT, PLUMB and LEVEL



Level the housing as shown & secure to the wall with #8 x 2" Phillips screws through the backer plate using an extended bit

Tip! *The screws can be inserted into the backer & held with tape prior to fitting to make it easier, or a screw-holder can be used*

Fastening upper housing through backer plate



Installing track – Double and Corner Doors

Set the housings into place, and proceed to install the lower track mounts, then lift the pull bar on one side and gently feed the lower track runner onto the zipper, lower the pull bar and feed the track tight up to the housing in alignment with the spigot, repeat on the other side.

Lift tracks at the mid-point, screw in the lower track joiner – ensure the lower tracks are interlocked in the lower track mounts and insert the spline

De-bur track runner(s) after cutting ensuring a smooth entry-way for the mesh

Single Doors –counter sink track runner after cutting– Do not over cut runners

Lower track runner	Cut track runner by 1/8"
--------------------	--------------------------

Double Doors – counter sink track runner after cutting - Do not over cut runners

Lower track runner	Cut track runner by 1/4" – each side
Upper track runner	Do not cut

Corner Doors- counter sink track runner after cutting – Do not over cut runners

Lower track runner	Cut track runner by 1/4" – each side
Upper track runner	Do not cut

Install the M3 Pins

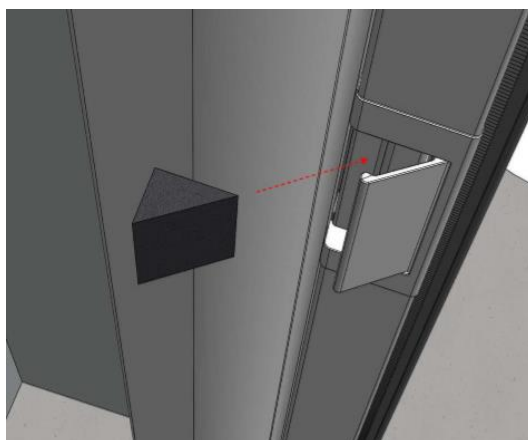
Single doors have 1 M3 pin to connect the Upper track to the housing

Doubles doors have 2 M3 pins to connect the Upper tracks to each housing

Corners doors have 4 M3 pins to connect the Upper tracks to each housing, and also to the Upper Corner Track joiner

Before installing tracks, cut a wedge from the packing foam to lock the handle in the open position. This releases the top and bottom brake to allow the tracks to be positioned

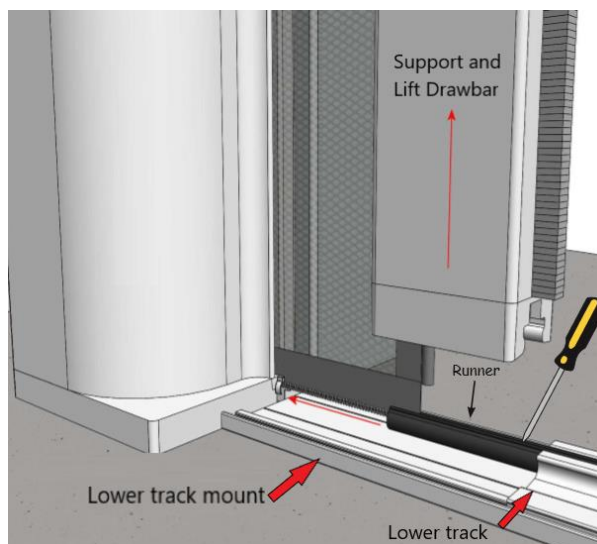
Cut wedge to hold handle "open"



Install the Lower track by sliding the Runner out of the lower track and GENTLY feed onto the zipper, and feed it flush against the housing

TIP! You can use the tip of a flat head screw driver to slide the runner out

Supporting pullbar and GENTLY sliding track runner onto zipper

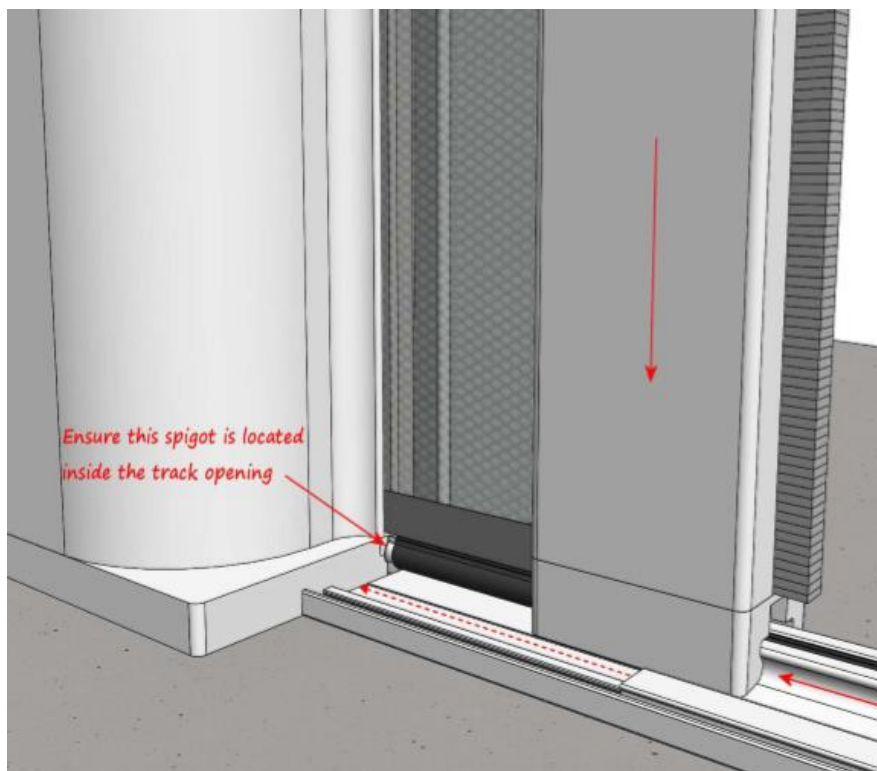


Slide the drawbar back onto the mesh, then flex the lower track as required to slide the track straight through the lower drawbar endcap & up to the housing.

Hook the start of the track into the mounting track then slide it over the spigot on the housing. Ensure the track is pushed all the way up to the housing.

Locate the rest of the track into the mounting grooves, then push down & back to hook into place

Lower drawbar and feed track up to housing – ensure it is onto the spigot



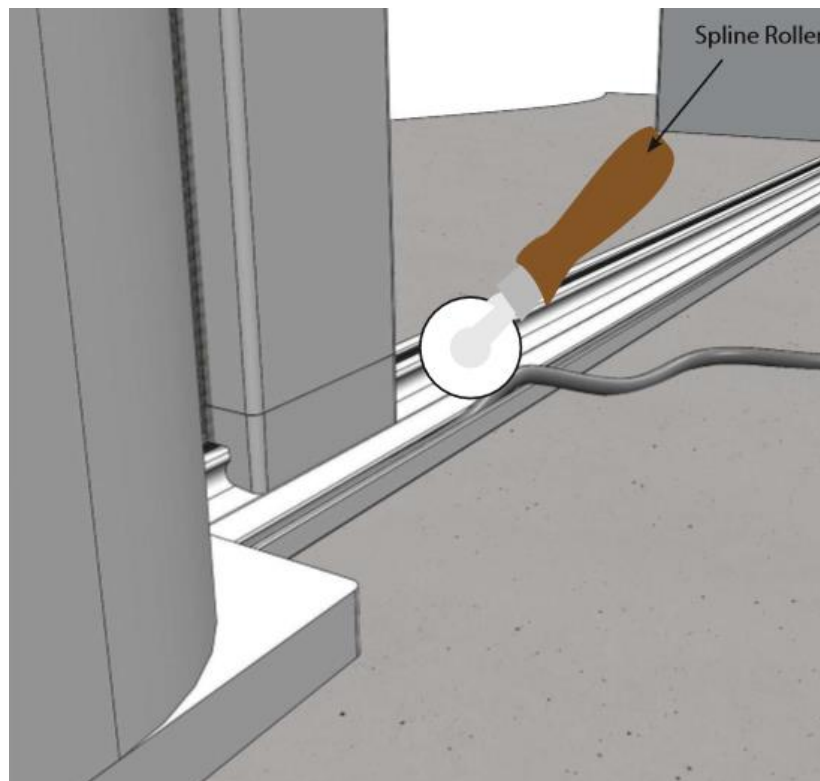
Secure the lower track in place by inserting the tubular spine into the groove, to prevent the track from unhooking from the mount

Starting at the opposite end to the housing, use a standard mesh spline roller to roll the spline into place being careful not to stretch it (If you stretch it, it will shrink back later leaving a gap).

Hint: Leave some extra spline hanging out at each end to allow a little shrink after fitting. This can be trimmed after the entire installation is completed.

When trimming it's best to leave an extra 5/32" & compress it into the track to allow for creeping.

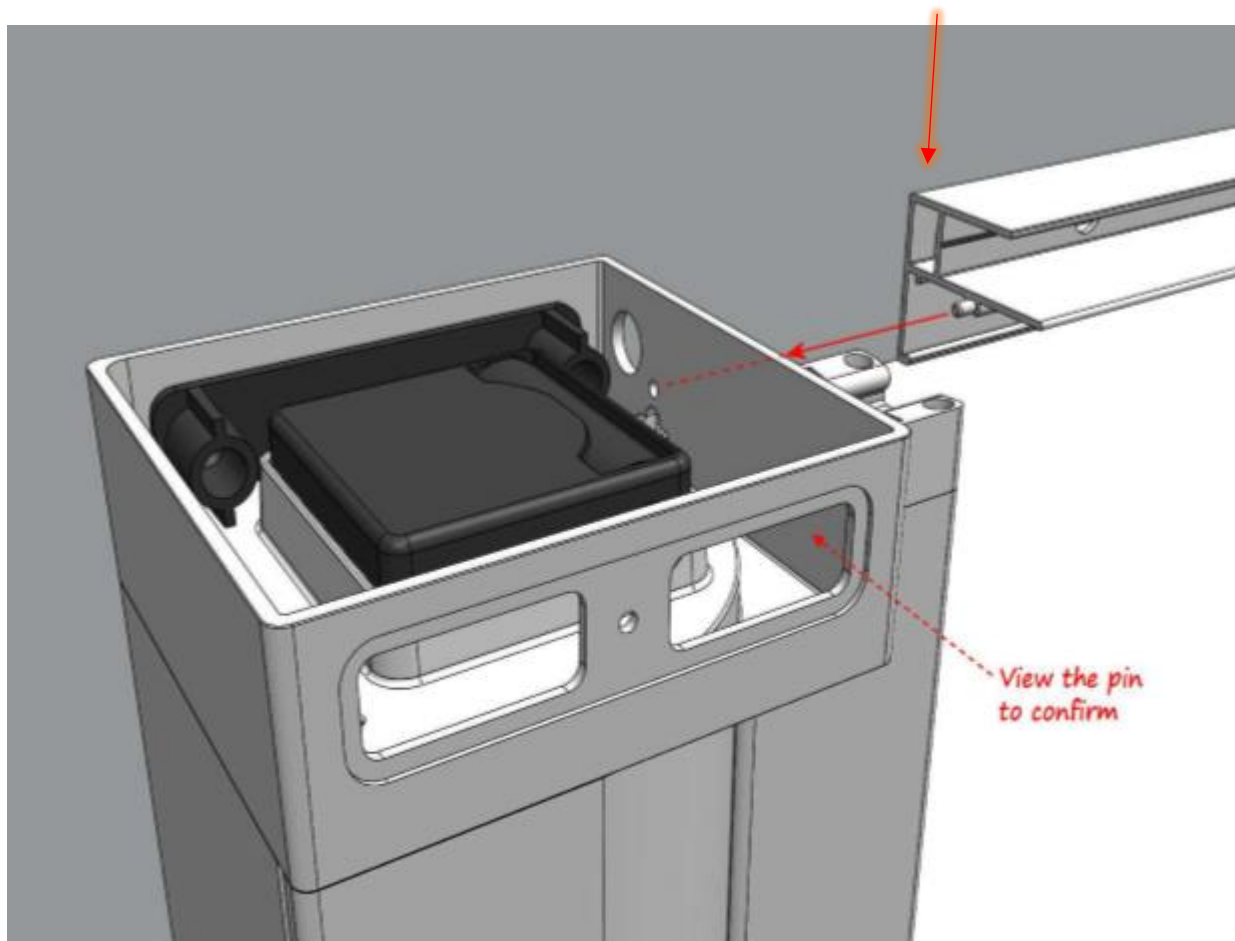
Inserting spline into lower track mount



Fit HZL2-TF Track Fixed to the upper housing cap, **ensuring the M3 pin is located within the alignment hole**

Check the pin hasn't pushed back into the track. You should be able to view it through the endcap access window to confirm M3 pin fits into alignment hole

HZL2-TF Track Fixed



Installing track – Double and Corner Doors

Install one upper track fixed end with the pin into each housing – ensuring you are aligning with the alignment pin

Installation

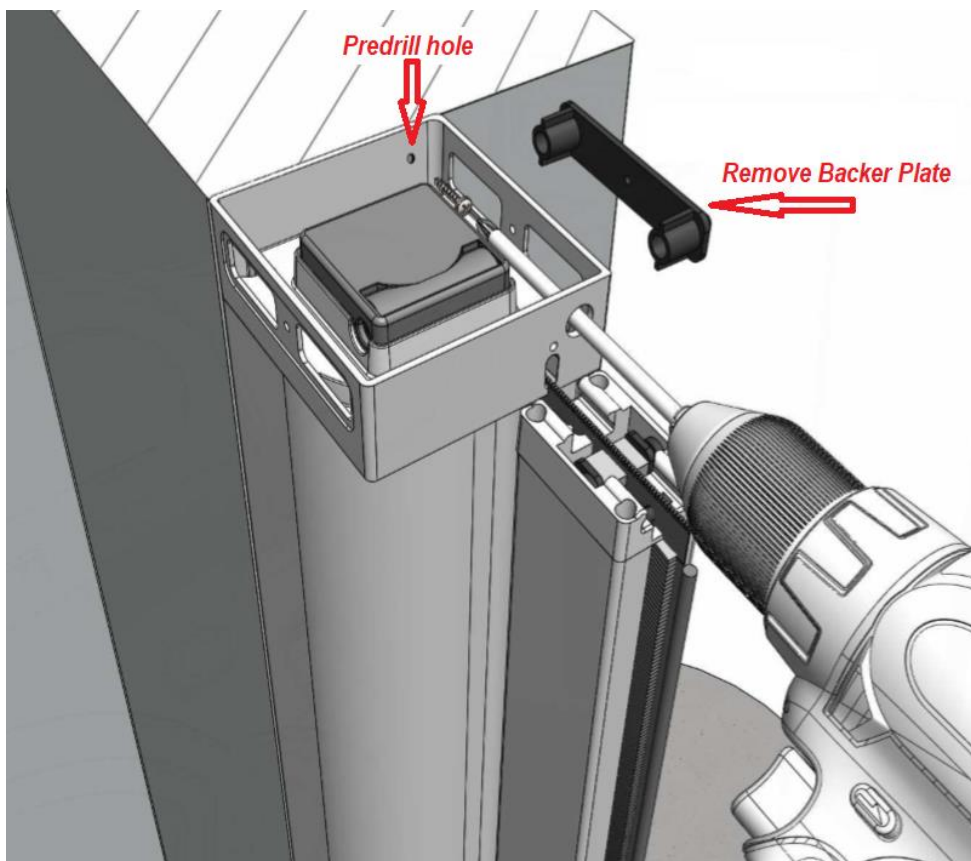
Optional Reveal fit inside the jamb for 100mm Systems

Remove the backer plate

Predrill a hole through the housing endcap

80mm Horizons cannot be mounted this way

Installing against the jamb (100mm only)

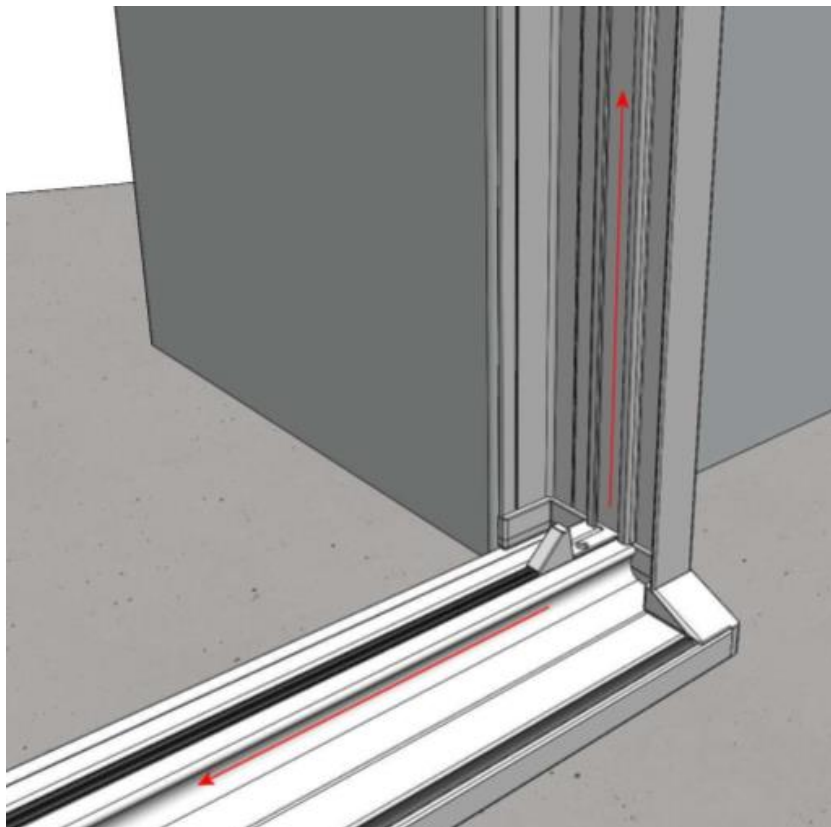


Use the receiver to support the far end of the upper track for fixing. This acts as a guide to set the correct height (see next step). At the end of #1 Track Fixed, opposite to housing, place the receiver channel between the "Top and bottom tracks" ("top of the bottom track" to the "bottom of the top track") and secure the upper track in place using the receiver channel as the height gauge

Double and Corner doors have a single receiver channel provided only for the measuring to position the upper track

Repeat the method by positioning the receiver beneath each screw location before fixing to ensure top & bottom tracks remain parallel (see next step)

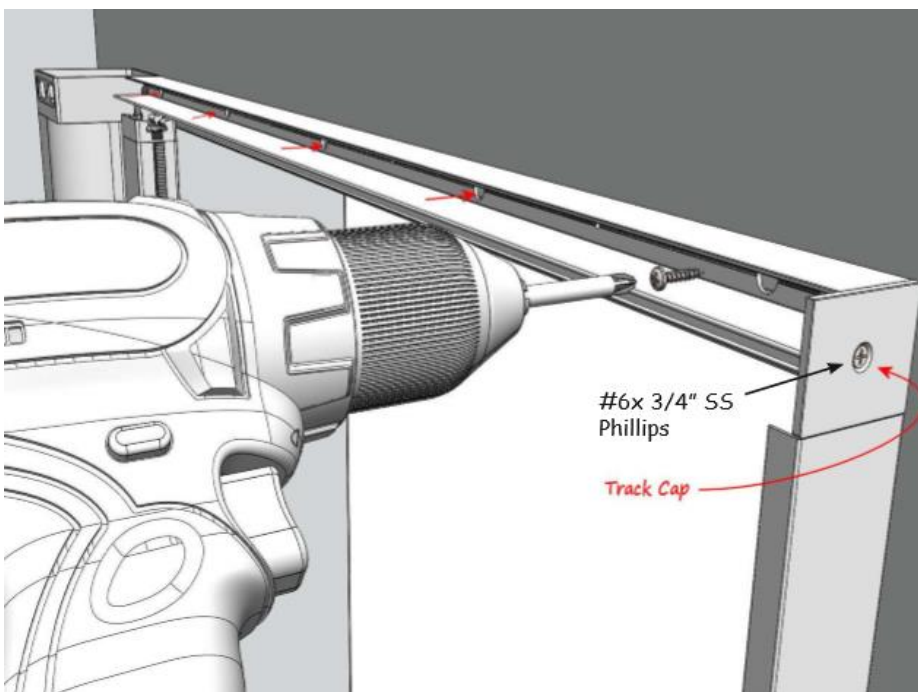
Receiver channel is used to set correct upper track height



With the top track supported by the receiver, fix in place with #6 x 1" screws through the pre-drilled mounting holes

Repeat previous step for all mounting holes to ensure both tracks remain parallel

Fastening upper track outer mount, using receiver channel for correct height gauge



Installing track – Double and Corner Doors

Using the receiver channel provided, temporarily fasten the opposite ends of the upper track with a single screw (with the upper track joiners) with single screw, repeat on the other upper track, and set the correct height on this track by using the receiver channel as you would on a single door. When this side is correctly positioned, remove the single screw on the other side and using the receiver channel to set the track to the correct height.

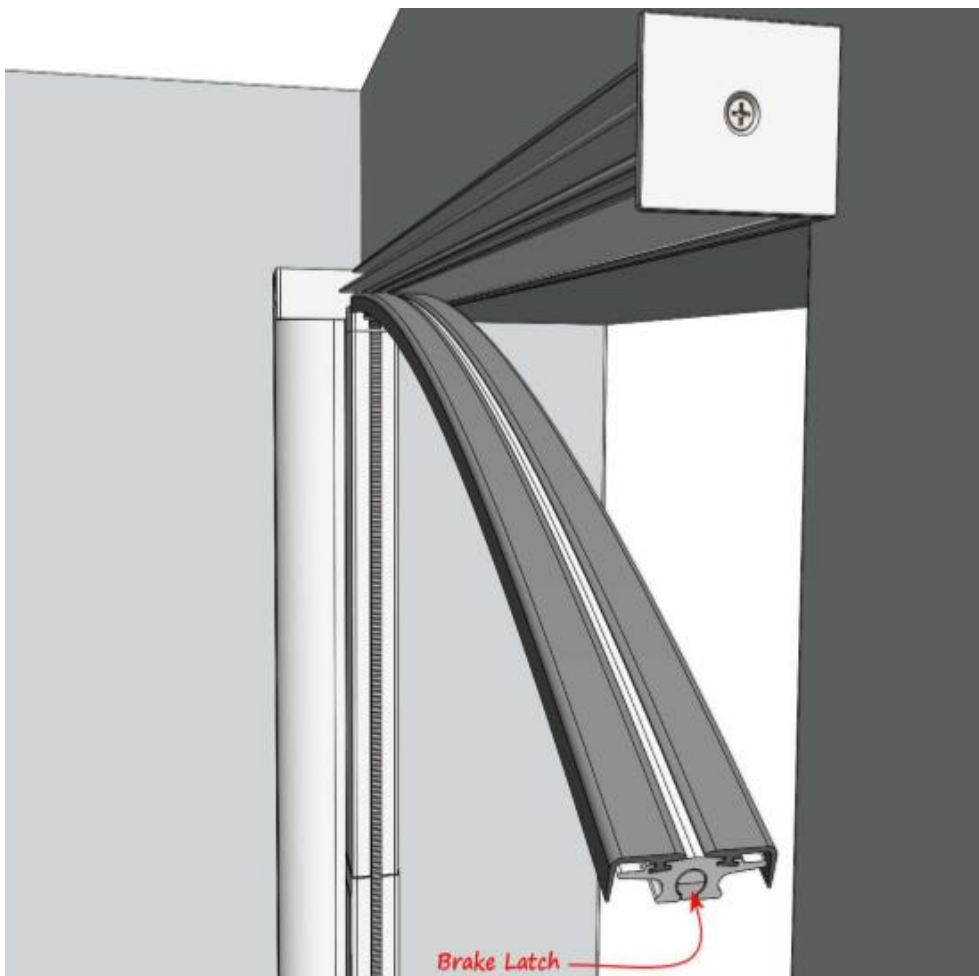
Lift the upper track into position adjacent the upper drawbar cap

Allow the far end to flow downward to allow it to fit within a reveal during installation. (this diagram shows face fit) – support both ends

Installing upper track

Double doors and Corners have two upper brake latches

Brake Latch



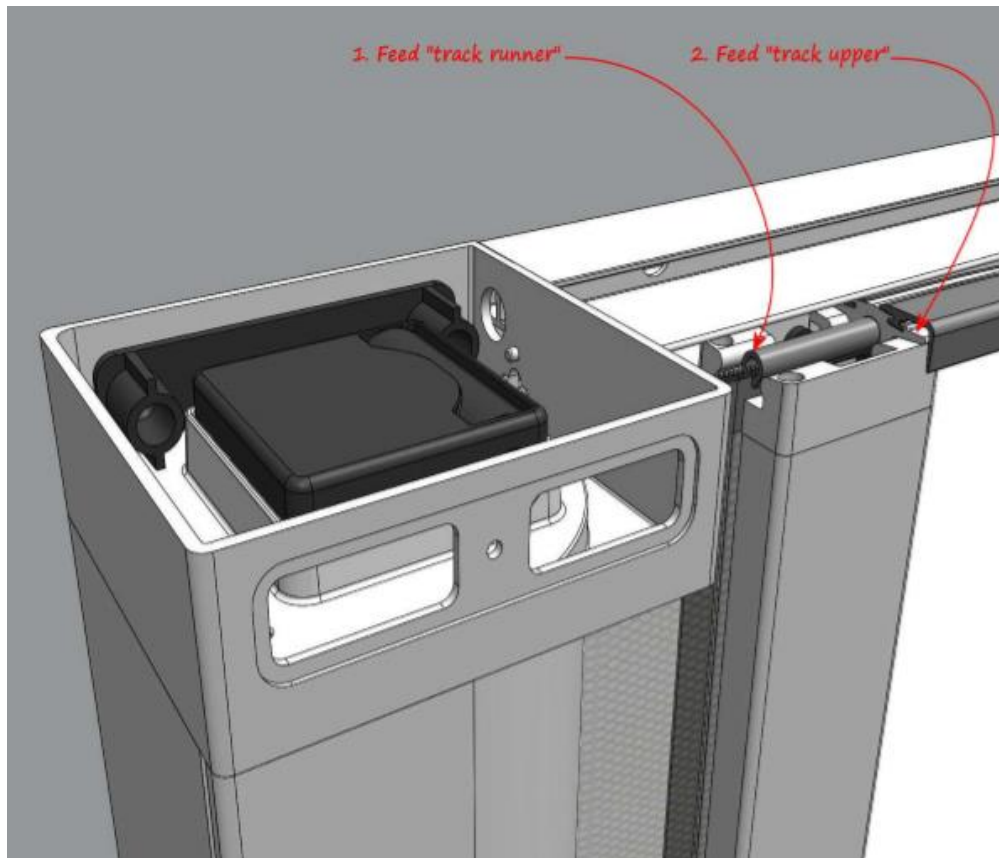
Installing track – Double and Corner

Once both sides are at the correct height, install the upper track and wings, and screw in the outer track cover on both sides – install the track filler strip.

Installation

Ensure the “track runner” is protruding approximately 6” to allow easy feeding over the zipper

Gently feed track runner onto zipper like the lower track



Once the runner is located over the zip, continue to gently feed the upper track through the drawbar & up to the housing.

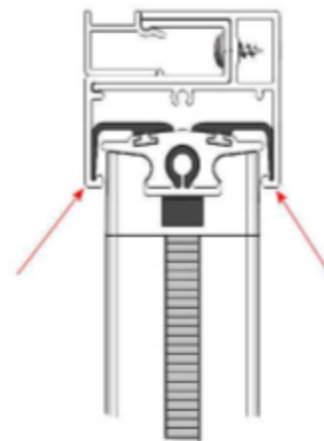
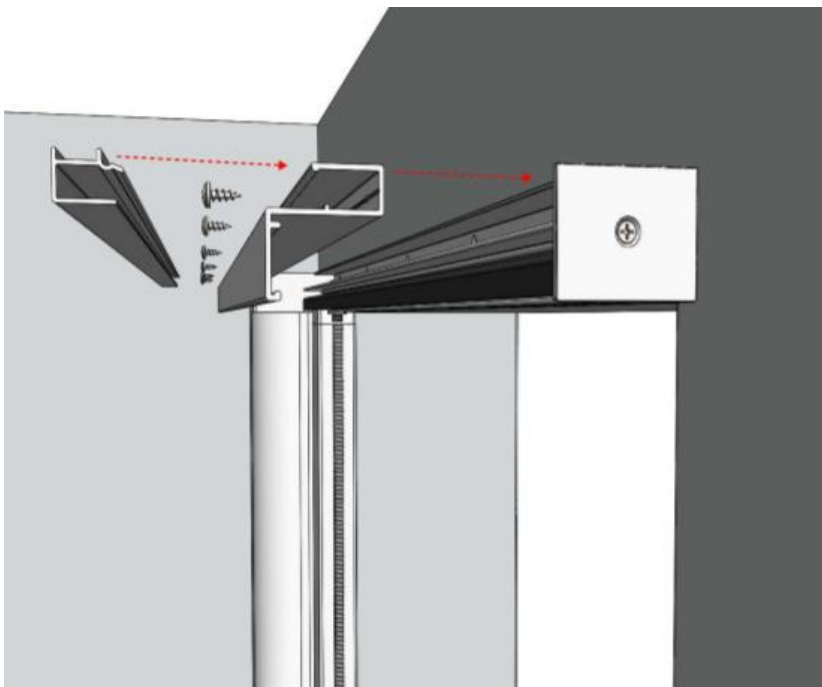
Insert HZL2-TO Track Outer & screw into position using #8 x 1/2" screws in the pre-drilled holes

Next clip the "Track-filler" into place to cover the screws.

Note: Ensure the "wings" on the top track are tucked into position on both sides. (See detail)

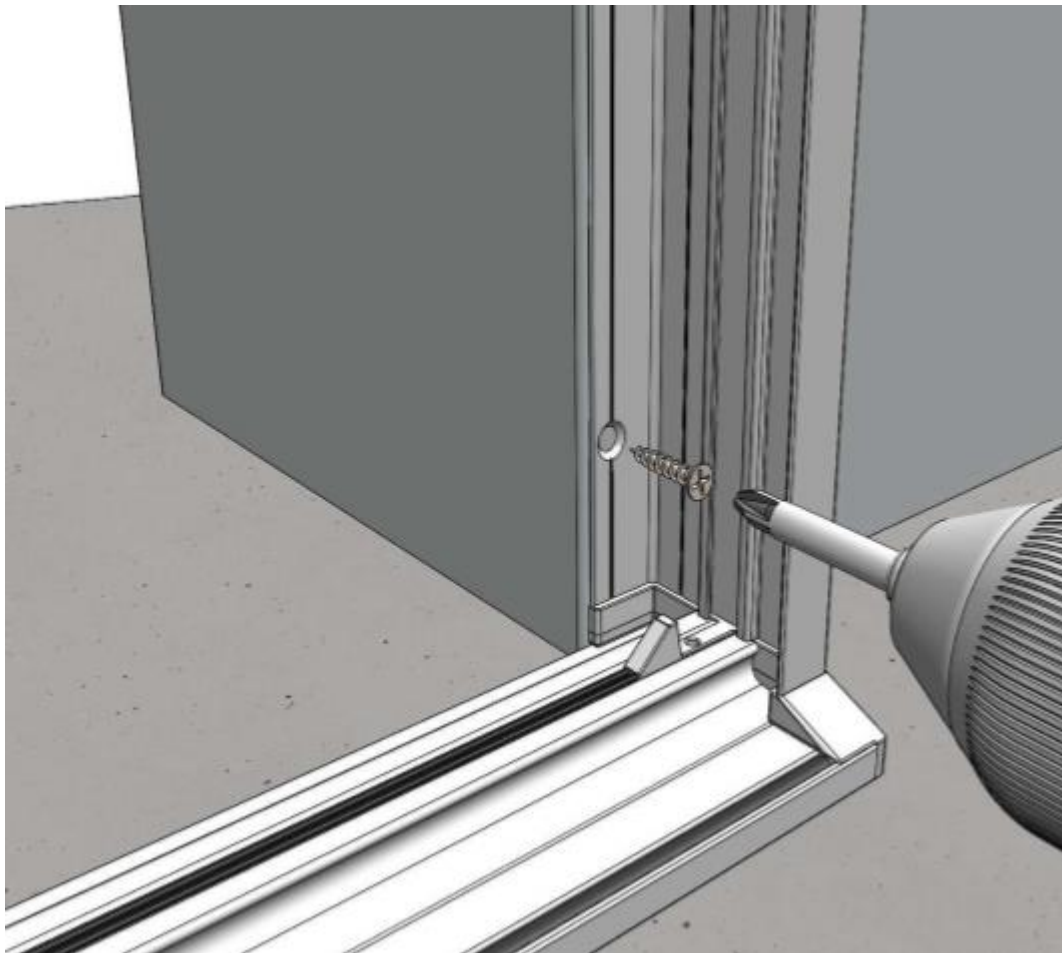
Do not pull out the screen until the outer track is installed and screwed into position to support both wings. Ensure that you have a screw no more than 6" from the housing here as a tight top track assembly near the housing will prevent the upper track runner from shifting left or right during operation – **operating the screen before you finish installing the upper track can cause it to jamb and could damage the zipper.**

Installing outer track and filler



Screw "Receiver" into position using #6 PH screw (painted)

Fasten receiver channel



Spray bottom track & runner with silicone spray wiping away any excess.

Slowly pull the drawbar across to test. If any resistance is felt immediately stop & allow the screen to retract again.

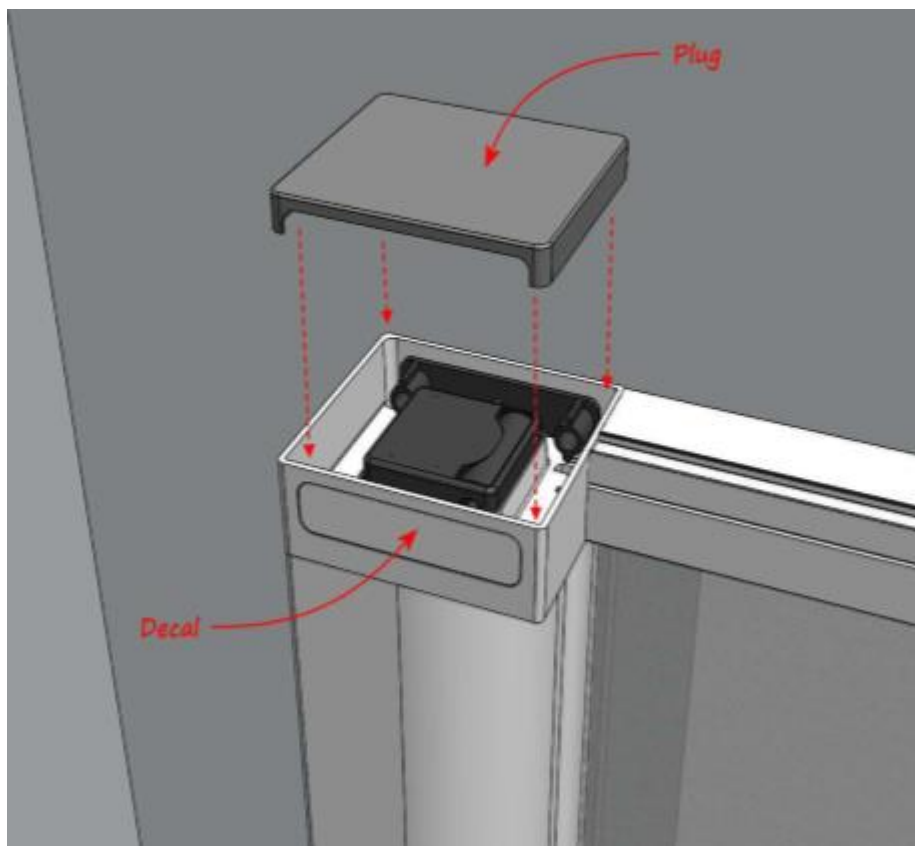
Repeat this process until the screen fully opens & retracts freely.

Apply the logo decal over the access window opening.

Fit the "Endcap plug" into the top of the housing(s)

Note: On tight installations or reveals this may need to be fitted prior to installation.

Housing top endcap plug



Installation Videos, Parts Lists and CAD files at :

www.wizardscreens.com/technical or click on the links below

[Installation Video](#) YOUTUBE

[Reverse Installation Video](#) YOUTUBE

[Horizon Measuring Guide](#) .pdf

[Horizon Installation](#) .pdf

[Horizon Maintenance and Servicing](#) .pdf

[Horizon 80mm Screen View](#).pdf

[Horizon 80mm Components](#).pdf

[Horizon 100mm Screen View](#) .pdf

[Horizon 100mm Components](#).pdf

[Double Horizon Screen](#) .pdf

[Corner Horizon Screens](#) .pdf

[Horizon Components](#) .pdf

[Horizon Double and Corner Door Track Connectors](#) .pdf

[Horizon 3D View Square Housing](#) .pdf

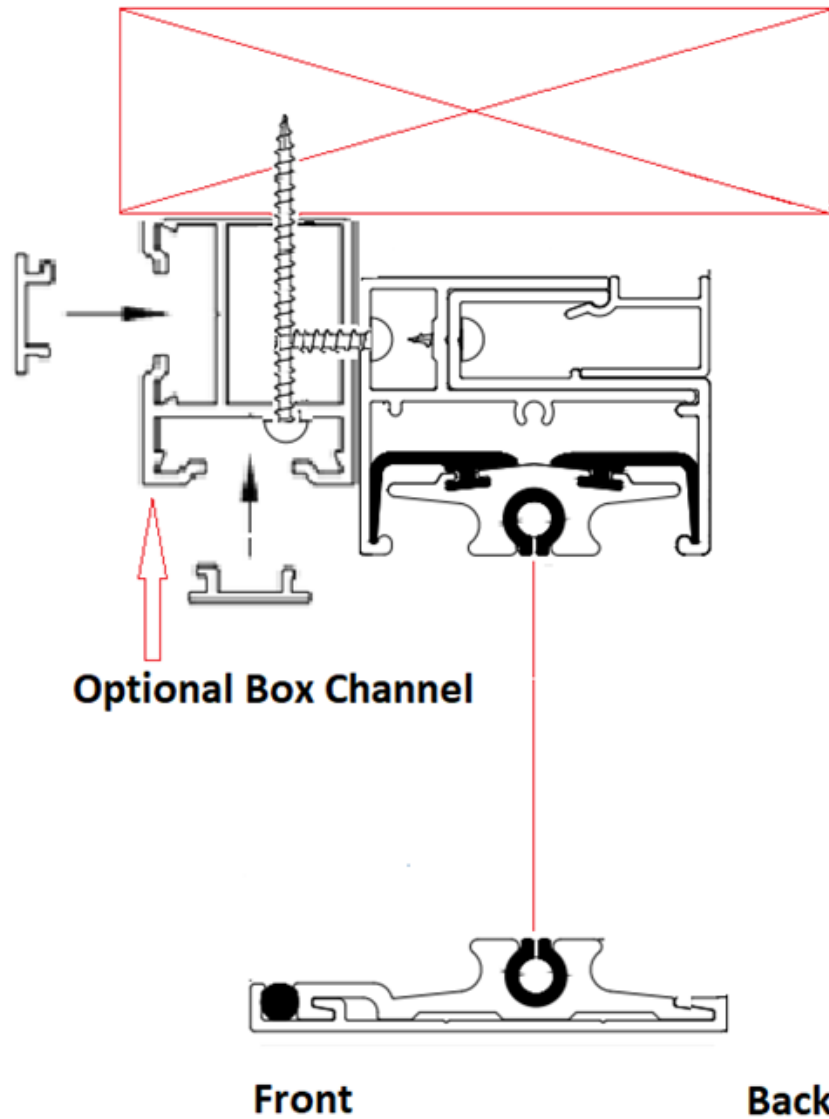
[Horizon Double and Corner Door Track Connectors](#) .dwg

[Horizon 80mm Components and Screen](#).dwg

[Horizon 100mm Components and Screen](#).dwg

[Mesh Limits](#).pdf

Top track can be turned 180° to allow fastening from the front or back



Adjusting the Spring Tension

*Spring Tension should only be adjusted after checking install. Please reference: [Horizon Maintenance and Servicing](#) if the pull bar does not operate smoothly across the opening, you should NOT adjust the spring tension until you have ensured the housing is flat on the ground, level and square with the tracks, plumb front to back, the M3 pin is aligned correctly at the top track, the lower track is on the spigot, the tracks are level, side to side, front to back and across the opening.

Spring Turns 80mm and 100 Housings

Screening Tips – Factory recommended Spring turns, Phifer 18x14 mesh

Factory Setting: 45 Turns on the Spring. Our Standard driver setting, CLOCKWISE of LOW SPEED averages 11 turns on the spring in 30 Sec – wedge the handle open and pull screen out ½ way and start to wind, the pull bar will start to move as the spring winds. If the pull bar does not move there is likely a mis-alignment in the track or housing - STOP winding and check housing and tracks for plumb, level, square, track height

Horizon 80mm

Width

Height	4	6	8	10	12	14
6	30	34	36	38	40	42
8	34	36	38	40	42	44
10	36	38	40	42	44	46
11	37	39	41	43	45	47

Width

Height	10	12	14	16	18	20
6	38	40	42	44	46	48
8	40	42	44	46	48	50
10	42	44	46	48	50	52
11	43	45	47	49	51	53