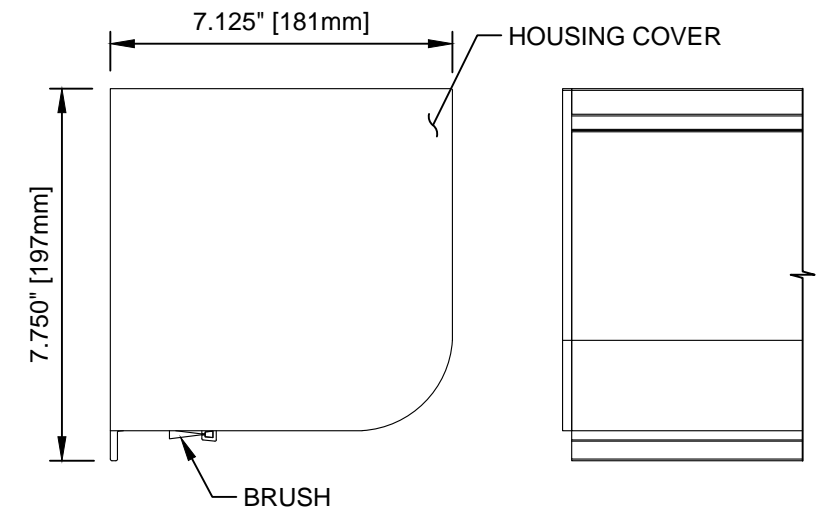
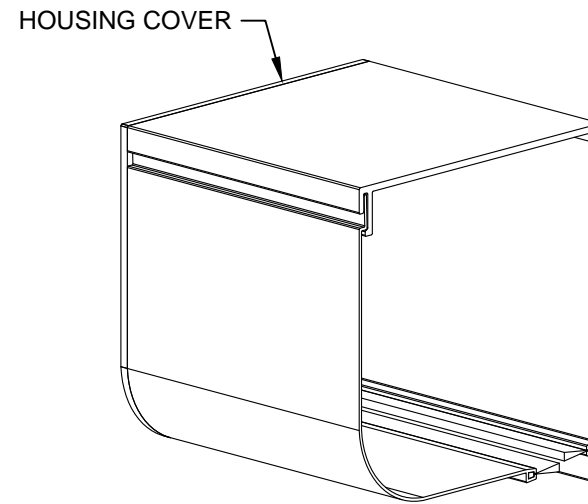
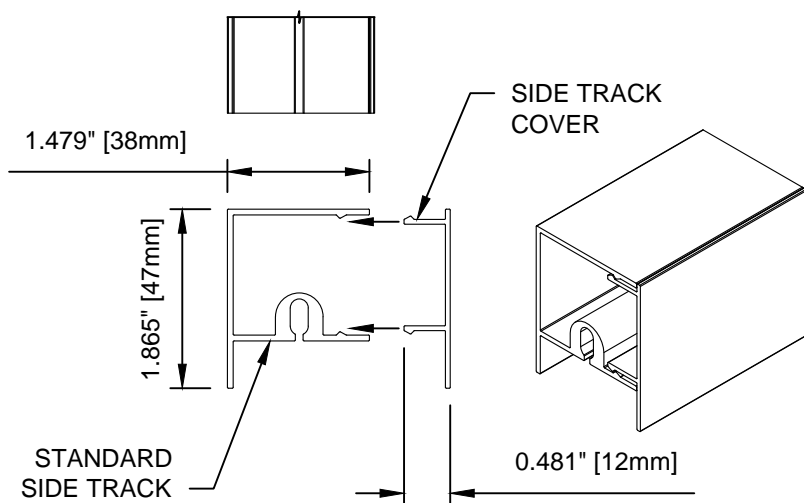


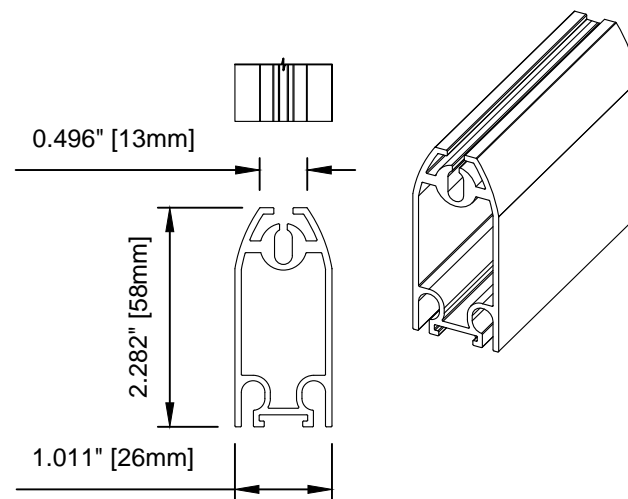
5 1/2" STANDARD HOUSING
SCALE: 3" = 1'-0"



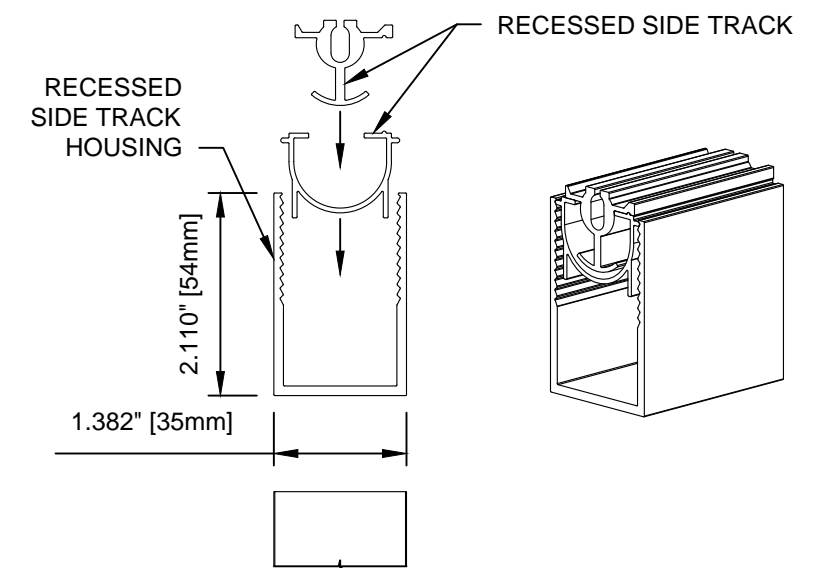
7" ALTERNATIVE HOUSING
SCALE: 3" = 1'-0"



SIDE TRACK
SCALE: 6" = 1'-0"



SLIDE BAR
SCALE: 6" = 1'-0"



RECESSED TRACK
SCALE: 6" = 1'-0"



WIZARD INDUSTRIES INC.
4263 PHILLIPS AVENUE
BURNABY, BC
V5A 2X4

**MOTORIZED RETRACTABLE
WALL SCREEN COMPONENTS**

SCALE:
AS SHOWN
DATE:
JUN. 29 2018
DWG:
MS-002